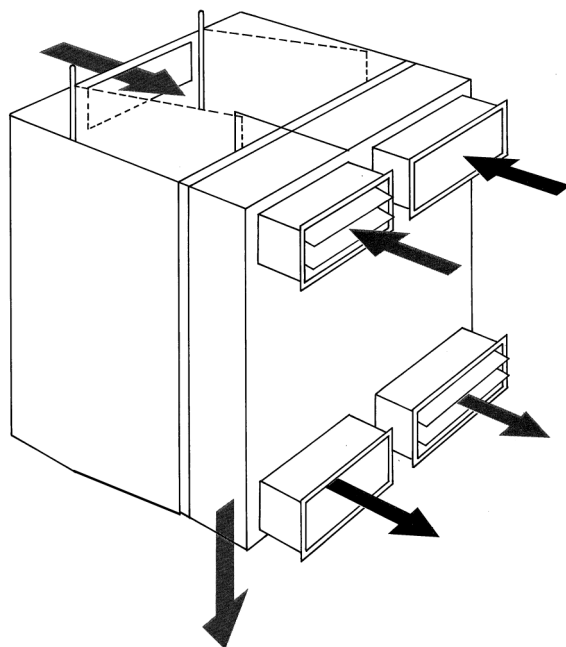
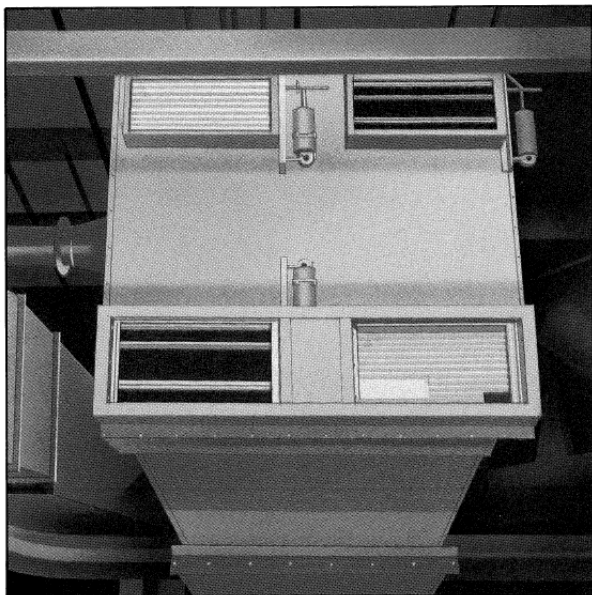


WASTE SEPARATOR

SELF CLEANING AND AUTOMATIC
REPLACES WASTE CONDENSERS

With traditional waste condensers, fine particles eventually coat the screen and cause blinding. The entire air system must then be shut down and the condenser manually cleaned before system re-start. Heavy loading

causes rapid waste build-up which chokes the condenser. This sudden build-up is not held to the screen and falls into the housing, if left unattended, the waste build-up and resulting pressure will damage the condenser.



The **Waste Separator** from Industrial Air eliminates these problems and offers notable advantages over traditional waste condensers:

- ◆ Automatically cleans itself.
- ◆ Accumulated waste drops into hopper during automatic cleaning phase of unit.
- ◆ Works equally well with fine dust or heavy loading.
- ◆ Low pressure drop allows low horsepower requirement; uses less energy than waste condenser.
- ◆ Adapts easily to bale press.
- ◆ Uses no seals.
- ◆ Reduced downtime of unit; self-cleaning feature saves labor, increases overall efficiency.



industrial air, inc.