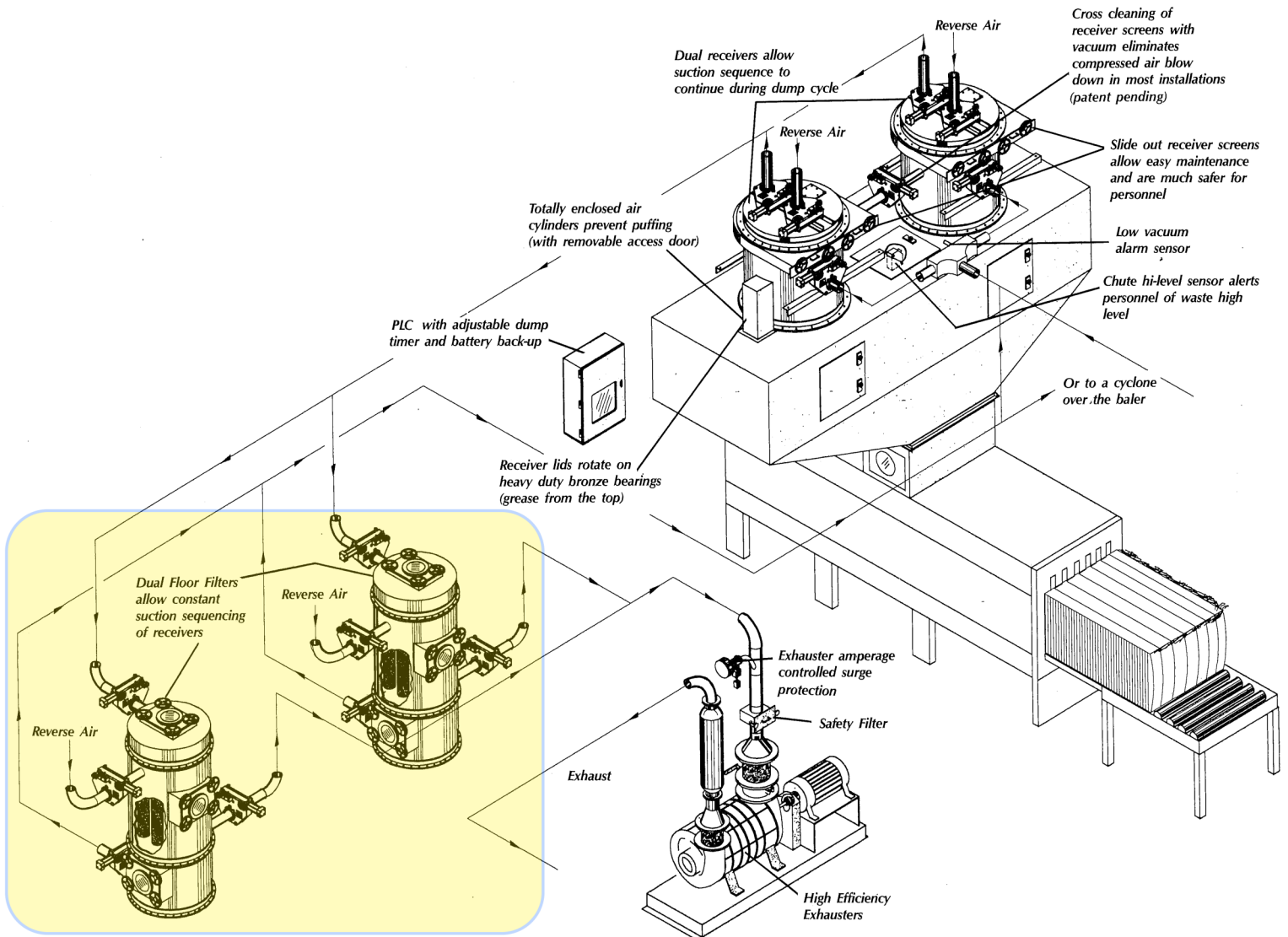


# FLOOR FILTERS

AN INTEGRAL PART OF AN INDUSTRIAL AIR HI-VAC WASTE COLLECTOR SYSTEM

- ◆ Dual Floor Filters clean exhaust from receivers and allow constant receiver suction sequencing.
- ◆ Floor Filter isolation for maintenance is possible without system shut-down.
- ◆ Automatic in-sequence cleaning.



**industrial air, inc.**

Greensboro, NC (336) 292-1030 [www.industrialairinc.com](http://www.industrialairinc.com)